



鷹創

OBELIX
EXTRA
XL

GMM
STONE MACHINERY

MONOBLOCK CNC 5-AXIS **SAWING MACHINE**
一体式数控五轴桥切机

gmm.it

EXTRA 鹰创 480

MONOBLOCK CNC 5-AXIS SAWING MACHINE

EN

The machine combines extreme ease to use concept and intuitive programming. Extra 480 offers cad cuts, contouring, profiles and shapes, drilling, coring, bas-reliefs and lettering, offline programming.

一体式数控五轴桥切机

CN

鹰创併合了简易、直观、高效的操作系统，以达到轻松为石材进行加工。鹰创能根据CAD绘图进行各类加工，在切割、塑形、鑽孔、取芯、浮雕和刻字方面都有超卓表现，更支援离线工作。



LEARN MORE
了解更多

YouTube



EN

- 370° rotating head, 90° tilting head
- Blade up to 625 mm (25 inches) diameter driven by frequency converter
- Vertical stroke (Z axis) of 480 mm (16 inch)
- Standard machine rails (Y axis) 3250 mm
- The main structures of the machine are in hot galvanized steel
- Automatic lubrication
- Sliding Safety barriers with polycarbonate panels with high visibility
- High speed, maximum precision thanks to brushless motors with absolute encoders, recirculating ball guides, precision gearboxes and interpolation of the axes with CNC
- 6000 rpm electrospindle with shaft drilled for water passage
- New Ergonomic Panel 21" multitouch LED color display with integrated machine controls, programming and control unit, USB port, LAN connection and remote service system
- Hydraulic tilting table driven by hydraulic cylinder with dedicated hydraulic power unit, structure in hot-dip galvanized steel with PVC table top

CN

- 工作头可任意370°旋转及90°倾斜
- 最大锯片安装直径 625毫米(25吋)，配置锯片变频器
- Z轴最大行程: 480毫米(16吋)
- Y轴(标准)最大行程: 3250毫米
- 机器的主要结构为经过热镀锌处理的钢材
- 自动润滑功能
- 滑动折叠保护屏障，采用高能见度的聚碳酸酯面板
- 极高精度且高速的运作，有赖于CNC数控智能对带有绝对编码器的无刷电机、循环球轴承和精密齿轮箱等各个部件进行完美的联动操控
- 主轴转速为: 6000rpm主轴，可配置中央出水
- 最新符合人体工学操作面板，配备21英寸多点触控 LED彩色显示屏，带有集成机器控制、编排程序和控制装置、USB端口、LAN网络连接和远程服务系统
- 液压翻板台由液压缸驱动，配备转用液压动力装置，热镀锌钢结构，PVC台面

主要特点

Main Features

OPTIONS 选项

- Vacuum system with 3 sections
- Four position magnetic tool changer for auto changing core bits and router tools
- Side Aggregate Spindle 4 kw
- 真空吸盘具有3个工作区域
- 4位磁力刀具库，自动更换钻头或铣刀工具
- 功率4KW的横向主轴



CNC TECHNOLOGY
智能数控



CAD CAM
CAD 绘图



TELE SERVICE
远程维护



READY INDUSTRY 4.0
工业4.0



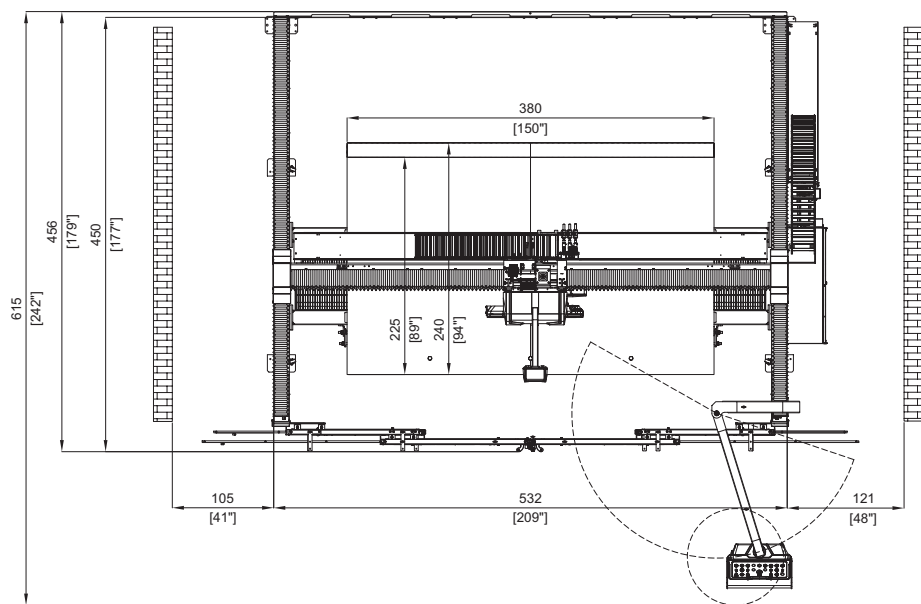
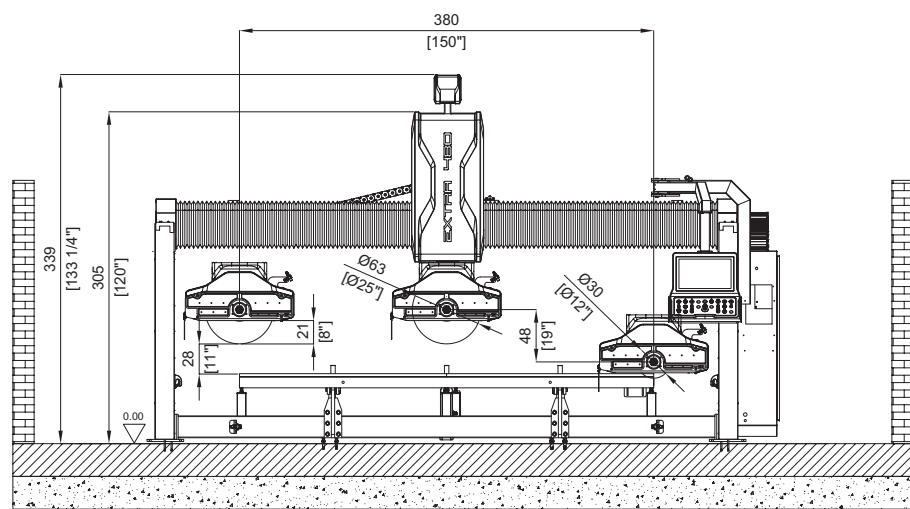
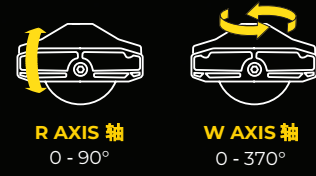
TOUCH SCREEN
触摸彩屏

Standard 标配:

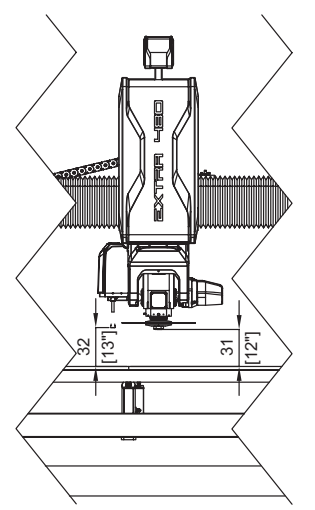
NEW 21" TOUCH SCREEN HMI
全新 21 英寸人机界面触控屏



MAXIMUM STANDARD BLADE Ø / BLADE HOLE Ø 最大锯片直径 / 锯片中心孔直径	625 / 60 [mm毫米]
MAXIMUM LONGITUDINAL BLADE STROKE (X AXIS) / MAXIMUM BRIDGE TRANSLATION (Y AXIS) 最大纵向切割行程 (X轴) / 最大桥身横移行程 (Y轴)	X AXIS轴 3750 [mm毫米] / Y AXIS轴 3250 [mm毫米]
MAXIMUM VERTICAL TRAVEL OF THE BLADE (Z AXIS) 最大垂直行程 (Z轴)	480 [mm毫米]
BLADE LOCKING FLANGE DIAMETER / MAXIMUM CUTTING DEPTH 锯片固定法兰直径 / 最大切割深度	213 / 205 [mm毫米]
MAXIMUM BLADE ORIENTATION ANGLE (W AXIS) 最大旋转角度 (W轴)	0 - 370 [°]
DIMENSION OF TILTING TABLE (0 - 85°) 翻板台尺寸 (0 - 85°)	2400 x 3800 [mm毫米]
MAX TILTING CAPACITY 最大翻板承载量	1650 [kg公斤]
BLADE MOTOR 锯片马达功率	13 (S6) [kW千瓦]
VARIABLE BLADE SPEED 锯片转速	800 - 6000 [rpm]
VARIABLE SLEDGE CUTTING SPEED (X AXIS) AND BRIDGE TRANSLATION SPEED (Y AXIS) 工作头滑切速度 (X轴) / 桥移速度 (Y轴)	35 [m米/min分钟]
MAXIMUM SPEED Z AXIS 最大最大垂直移动速度 (Z轴)	7.5 [m米/min分钟]
COOLING WATER CONSUMPTION AT 3 BAR 冷却水耗量3巴时	40 [l升/min分钟]
AIR CONSUMPTION AT 6 BAR (* WITH SUCTION SYSTEM) 气压耗量6巴时(*带吸盘)	55 (*355) [l升/min分钟]
TOTAL MACHINE MASS 设备总重	5400 [kg公斤]
VOLUME WHEN PACKAGED OF THE MACHINE IN STANDARD VERSION 标配机器装运规格	20'O.T. container 开顶柜
STANDARD INSTALLATION DIMENSIONS (WIDTH X DEPTH X HEIGHT) 标准安装尺寸 (宽x深x高)	5720 x 4360 x 3530 [mm毫米]
STANDARD VOLTAGE/ FREQUENCY 标准电压/频率	400/50-3 [V伏特/Hz赫兹]
MINIMUM AIR PRESSURE 最低气压	6 [bar巴]
SIDE AGGREGATE SPINDLE 横向主轴	4 [kW千瓦]
MAXIMUM TABLE CAPACITY 最大台面承载量	3000 [kg公斤]



SIDE SPINDLE
橫向主軸

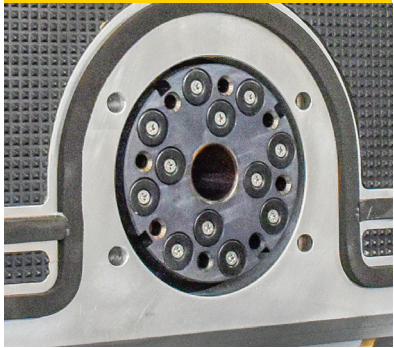


UPGRADE YOUR EXTRA 480

升级您的鹰创 480

OPTIONS 选项

CODE 编号: A1259



VACUUM BLADE GUARD WITH
COOLING TOOL NOZZELS

带冷却工具喷嘴的真空锯片防护罩

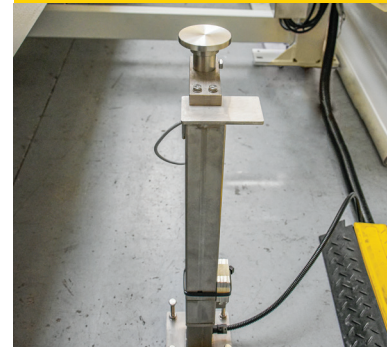
CODE 编号: A1718



FOUR POSITION MAGNETIC TOOL CHANGER FOR AUTO
CHANGING CORE BITS AND ROUTER TOOLS

4位磁力刀具库，用于自动更换钻头或铣刀工具

CODE 编号: A5501



TOOL DIAMETER
CONTROL

刀具直径/长度测量器

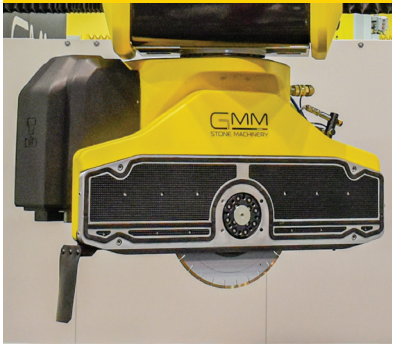
CODE 编号: A5504



SLAB THICKNESS
READER

大板厚度检测仪

CODE 编号: A2646



VACUUM SYSTEM WITH 3 SECTIONS
DISC CASING OF Ø 625 MM

吸盘的三个区域置于锯片罩表面，
可装Ø625的锯片。

CODE 编号: A5453



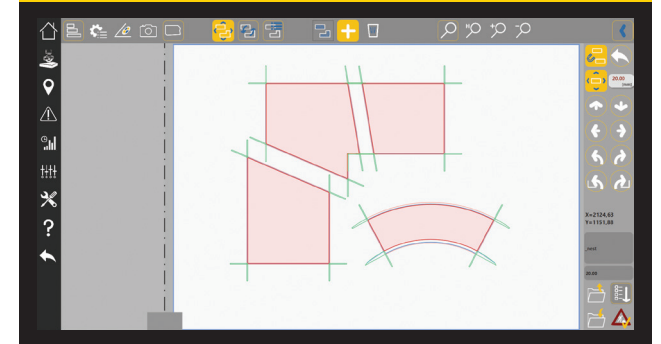
CAMERA
摄像头

CODE 编号: A1477



SIDE AGGREGATE SPINDLE
横向主轴

CODE 编号: A6423



OPTICAL DETECTOR
TEMPLATE COPIER
光学模板探测器



CPV VEINMATCH
SPV 对纹加工



PARAMETRIC PROGRAM
参数化设计程序



PROGRAM COMBINED CUTS FROM CAD
CAD组合切割程序

STANDARD MACHINE PROGRAM

机械标准程序



SINGLE CUT, MULTIPLE CUTS, INCLINED OR MITRE CUTS
单次切，多次切，倾斜切



CIRCUMFERENCES, ARCHS.
切圆，弧线

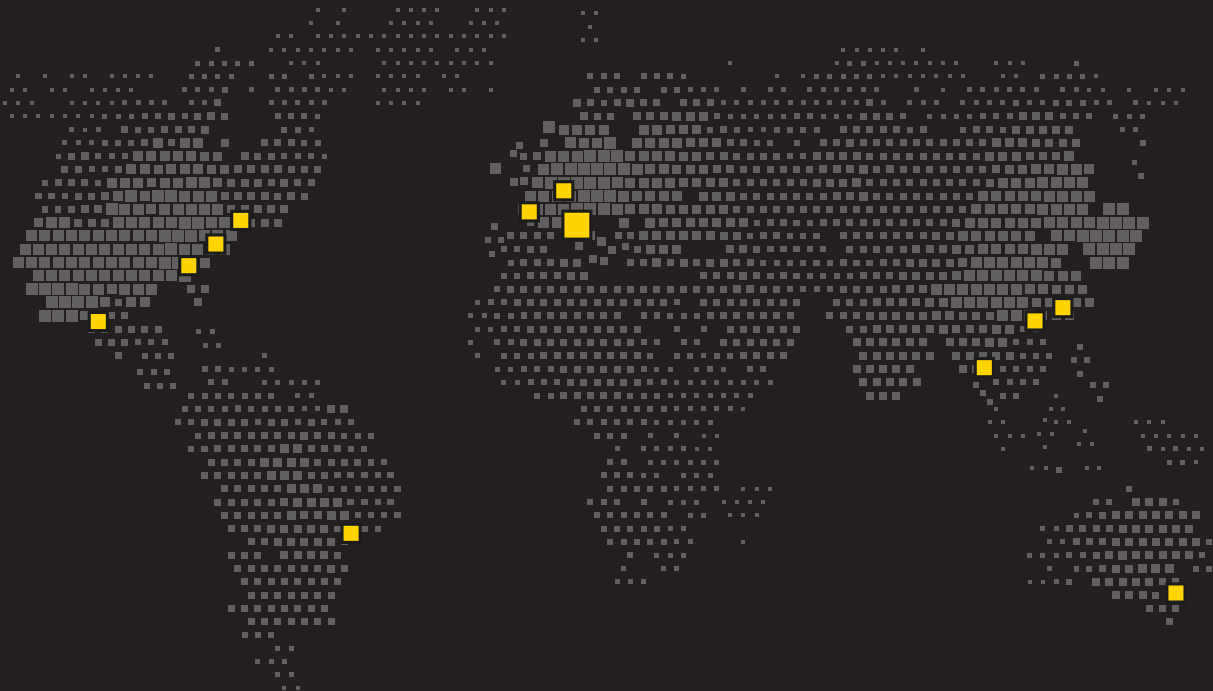
GMM

STONE MACHINERY



one group
full machines range for your
fabrication shop

一个团队
提供一系列所有适合你生产
车间的设备



ITALY

GMM S.P.A.
HEADQUARTER Gravellona Toce (VB)

GMM S.P.A. SCHIO
BUSINESS UNIT

MECTOCE S.R.L.
PRODUCTION UNIT

BAVELLONI S.P.A.
HEAD OFFICE / PRODUCTION UNIT

BAVELLONI S.P.A.
TOOLS DIVISION / PRODUCTION UNIT

U.S.A.

GMM USA INC.
COMMERCIAL / AFTER SALES UNIT

BAVELLONI AMERICA INC.
COMMERCIAL / AFTER-SALES UNIT

TECHNI WATERJET LLC
COMMERCIAL / AFTER SALES UNIT

FRANCE

BAVELLONI FRANCE
DISTRIBUTOR

GERMANY

**GMM STEINBEARBEITUN
GMBH**
DISTRIBUTOR / AFTER SALES UNIT

**WPA WATERJET PRODUCTION
ACADEMY GMBH**
DISTRIBUTOR

AUSTRALIA

TECHNI WATERJET LTD.
MELBOURNE HEAD OFFICE

THAILAND

TECHNI WATERJET LTD.
PRODUCTION UNIT

BRAZIL

**BAVELLONI DO BRASIL
COMÉRCIO DE MÁQUINAS LTDA**
COMMERCIAL / AFTER-SALES UNIT

MEXICO

Z.BAVELLONI MEXICO S .A. DE C.V.
COMMERCIAL / AFTER-SALES UNIT

HONG KONG

GMM INTERNATIONAL LTD.
COMMERCIAL / AFTER SALES UNIT
凌意国际有限公司

CHINA

GMM QUANZHOU LTD.
COMMERCIAL / AFTER SALES UNIT
泉州意美美机械有限公司

gmm.it / +39 0323 849711 / gmm@gmm.it

IMPORTANT: machines displayed in the present catalogue are without safety barriers in order to ensure the perfect vision of all the details of the machine. All machines will be delivered and installed with safety barriers as per current legislation. The data in the present catalogue may vary without notice due to continuous update of technology.

重要说明: 本说明书为了更清晰地展现设备全貌，在拍照时撤离了安全保护屏障，设备在实际交付与安装时都会配备安装保护屏。本产品说明书中的所有参数可能因更新原因而有所不同，请按照当时咨询时为准。

