



博锐

BRIO 180

**GMM**  
STONE MACHINERY

CNC 5-AXIS **SAWING MACHINE**  
数控五轴桥切机

[gmm.it](http://gmm.it)

# BRIO 博锐 480

## CNC 5-AXIS SAWING MACHINE

EN

The machine combines extreme ease to use concept and intuitive programming. Brio 480 offers cad cuts, contouring, profiles and shapes, drilling, coring, bas-reliefs and lettering, offline programming.

**The standard version is supplied to be installed on concrete walls. Carpentry shoulders and the machine cutting table are optional.**

## 数控五轴桥切机

CN

博锐併合了简易、直观、高效的操作系统，以达到轻松为石材进行加工。博锐能根据CAD绘图进行各类加工，在切割、塑形、鑽孔、取芯、浮雕和刻字方面都有超卓表现，更支援离线工作。

博锐的标准配置是其桥 / 导轨 要装在混凝土墙上（不带工作台），而工作台是一个可选配件。



**GMM**  
STONE MACHINERY

EN

- 370° rotating head, 90° tilting head
- Blade up to 625 mm (25 inches) diameter driven by frequency converter
- Vertical stroke (Z axis) of 480 mm (16 inch)
- Standard machine rails (Y axis) 3300 mm
- The main structures of the machine are in hot galvanized steel
- Automatic lubrication
- Sliding Safety barriers with polycarbonate panels with high visibility
- High speed, maximum precision thanks to brushless motors with absolute encoders, recirculating ball guides, precision gearboxes and interpolation of the axes with CNC
- 6000 rpm electrospindle with shaft drilled for water passage
- New Ergonomic Panel 21" multitouch LED color display with integrated machine controls, programming and control unit, USB port, LAN connection and remote service system

CN

- 工作头可任意370°旋转及90°倾斜
- 最大锯片安装直径625毫米(25吋)，配置锯片变频器
- Z轴最大行程: 480毫米(16吋)
- Y轴(标准)最大行程: 3300毫米
- 机器的主要结构为经过热镀锌处理的钢材
- 自动润滑功能
- 滑动折叠保护屏障，采用高能见度的聚碳酸酯面板
- 极高精度且高速的运作，有赖于CNC数控智能对带有绝对编码器的无刷电机、循环球轴承和精密齿轮箱等各个部件进行完美的联动操控
- 主轴转速为6000rpm，可配置中央出水
- 最新符合人体工学操作面板，配备21英寸多点触控LED彩色显示屏，带有集成机器控制、编排程序和控制装置、USB端、LAN网络连接和远程服务系统

# 主要特点

# Main Features

## OPTIONS 选项

- Hydraulic tilting table driven by hydraulic cylinder with dedicated hydraulic power unit, structure in hot-dip galvanized steel with PVC table top
- Vacuum system with 3 sections
- Four position magnetic tool changer for auto changing core bits and router tools
- Side Aggregate Spindle 4 kw

- 液压翻板台由液压缸驱动，配备转用液压动力装置，热镀锌钢结构，PVC台面
- 真空吸盘具有3个工作区域
- 4位磁力刀具库，自动更换钻头或铣刀工具
- 功率4KW的横向主轴



CNC TECHNOLOGY  
智能数控



CAD CAM  
CAD 绘图



TELE SERVICE  
远程维护



READY INDUSTRY 4.0  
工业 4.0



TOUCH SCREEN  
触摸彩屏

Standard 标配:

**NEW 21" TOUCH SCREEN HMI**  
**全新 21 英寸人机界面触控屏**



MAXIMUM STANDARD BLADE Ø / BLADE HOLE Ø 最大锯片直径 / 锯片中心孔直径	625 / 60 [mm毫米]
MAXIMUM LONGITUDINAL BLADE STROKE (X AXIS) / MAXIMUM BRIDGE TRANSLATION (Y AXIS) 最大纵向切割行程 (X轴) / 最大桥身横移行程 (Y轴)	X AXIS轴 3600 [mm毫米] / Y AXIS轴 3300 [mm毫米]
MAXIMUM VERTICAL TRAVEL OF THE BLADE (Z AXIS) 最大垂直行程 (Z轴)	480 [mm毫米]
BLADE LOCKING FLANGE DIAMETER / MAXIMUM CUTTING DEPTH 锯片固定法兰直径 / 最大切割深度	213 / 205 [mm毫米]
MAXIMUM BLADE ORIENTATION ANGLE (W AXIS) 最大旋转角度 (W轴)	0 - 370 [°]
DIMENSION OF TILTING TABLE (0 - 85°) (*OPTIONAL) 翻板台尺寸 (0 - 85°) (*选项)	2400 x 3800 [mm毫米]
MAX TILTING CAPACITY 最大翻板承载量	1650 [kg公斤]
BLADE MOTOR (*OPTIONAL) 锯片马达功率 (*选项)	13 (S6) [kW千瓦] / *16.5 (S6) [kW千瓦]
VARIABLE BLADE SPEED 锯片转速	800 - 6000 [rpm]
VARIABLE SLEDGE CUTTING SPEED (X AXIS) AND BRIDGE TRANSLATION SPEED (Y AXIS) 工作头滑切速度 (X轴) / 桥移速度 (Y轴)	35 [m米/min分钟]
MAXIMUM SPEED Z AXIS 最大垂直移动速度 (Z轴)	7.5 [m米/min分钟]
COOLING WATER CONSUMPTION AT 3 BAR 冷却水耗量3巴时	40 [l升/min分钟]
AIR CONSUMPTION AT 6 BAR (* WITH SUCTION SYSTEM) 气压耗量6巴时(*带吸盘)	55 (*355) [l升/min分钟]
TOTAL MACHINE MASS 设备总重	2400 [kg公斤]
VOLUME WHEN PACKAGED OF THE MACHINE IN STANDARD VERSION 标配机器装运规格	20'O.T. container 开顶柜
STANDARD INSTALLATION DIMENSIONS (WIDTH X DEPTH X HEIGHT) 标准安装尺寸 (宽x深x高)	7600 x 4480 x 3570 [mm毫米]
STANDARD VOLTAGE/ FREQUENCY 标准电压/频率	400/50-3 [V伏特/Hz赫兹]
MINIMUM AIR PRESSURE 最低气压	6 [bar巴]
SIDE AGGREGATE SPINDLE 横向主轴	4 [kW千瓦]
MAXIMUM TABLE CAPACITY 最大台面承载量	3000 [kg公斤]



**X AXIS 轴**  
3600 mm毫米



**Y AXIS 轴**  
3300 mm毫米



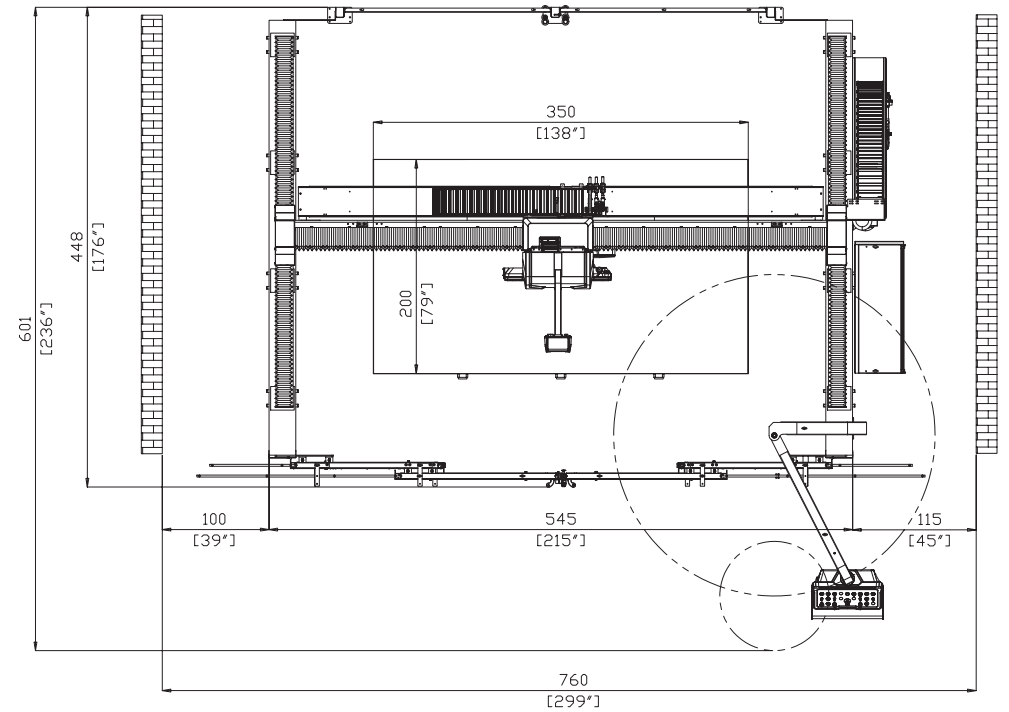
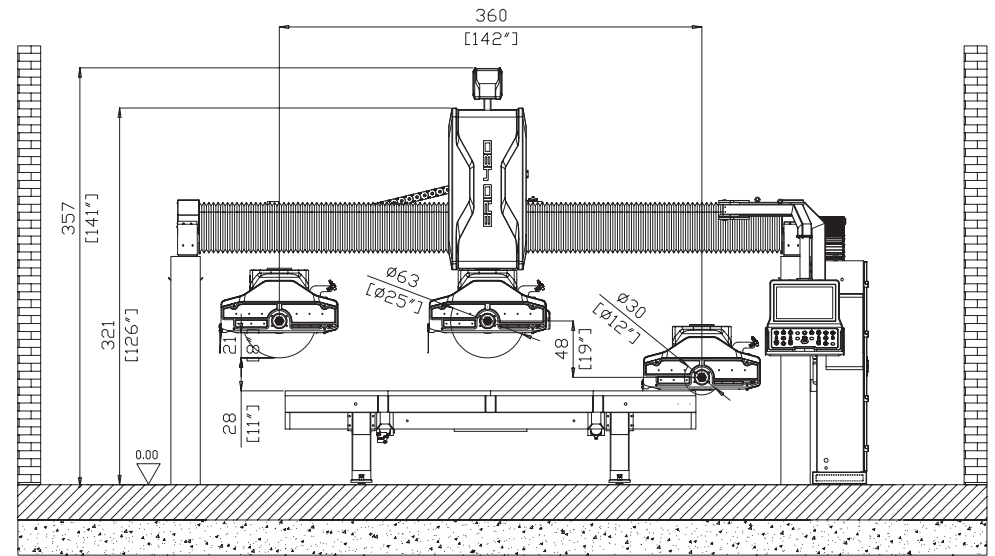
**Z AXIS 轴**  
480 mm毫米



**R AXIS 轴**  
0 - 90°



**W AXIS 轴**  
0 - 370°



**BRIO 480**

# UPGRADE YOUR BRIO 480

## 升级您的博锐 480

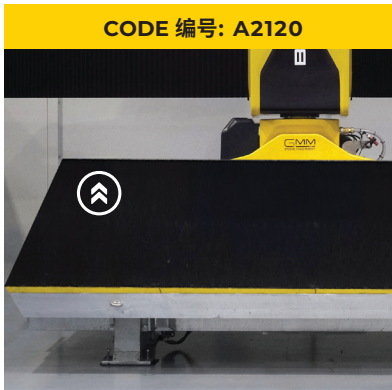
OPTIONS 选项

CODE 编号: A1477



**SIDE AGGREGATE SPINDLE**  
横向主轴

CODE 编号: A2120



**HYDRAULIC TILTING TABLE**  
液压翻板台

CODE 编号: A5453



**CAMERA**  
摄像头

CODE 编号: A5501



**TOOL DIAMETER CONTROL**  
刀具直径/长度测量器

CODE 编号: A5504



**SLAB THICKNESS READER**  
大板厚度检测仪

CODE 编号: A1259



**VACUUM BLADE GUARD WITH COOLING TOOL NOZZELS**  
带冷却工具喷嘴的真空锯片防护罩

CODE 编号: A2646



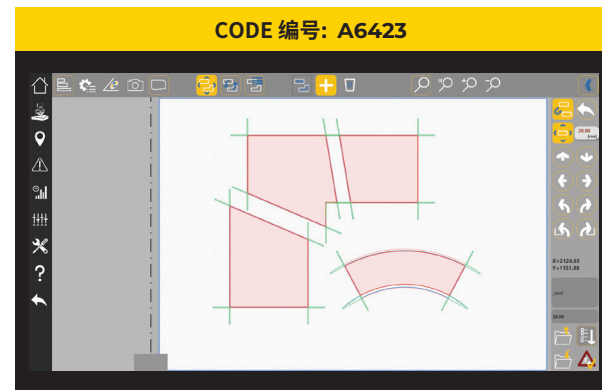
**VACUUM SYSTEM WITH 3 SECTIONS DISC CASING OF Ø 625 MM**  
吸盘的三个区域置于锯片罩表面，可装Ø625的锯片。

CODE 编号: A1718

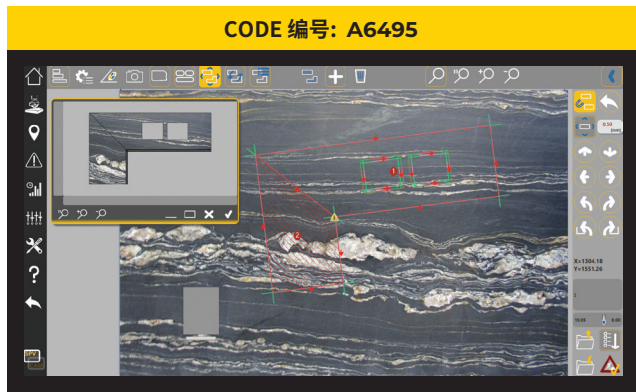


**FOUR POSITION MAGNETIC TOOL CHANGER FOR AUTO CHANGING CORE BITS AND ROUTER TOOLS**  
4位磁力刀具库，用于自动更换钻头或铣刀工具

CODE 编号: A6423



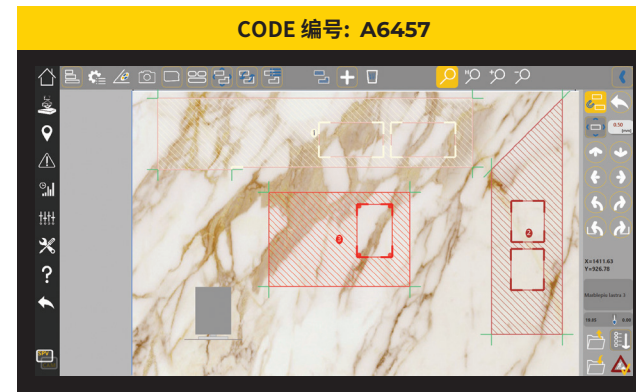
**OPTICAL DETECTOR TEMPLATE COPIER**  
光学模板探测器



**SPV VEINMATCH**  
SPV 对纹加工



**PARAMETRIC PROGRAM**  
参数化设计程序



**PROGRAM COMBINED CUTS FROM CAD**  
CAD组合切割程序

# STANDARD MACHINE PROGRAM

## 机械标准程序



**SINGLE CUT, MULTIPLE CUTS, INCLINED OR MITRE CUTS**  
单次切，多次切，倾斜切



**CIRCUMFERENCES, ARCHS.**  
切圆，弧线

# GMM

## STONE MACHINERY

**BAVELLONI**  
A GMM Group Company

**TECHNI**  
Waterjet  
A GMM Group Company

Full machines range  
& processing lines  
for stone shop.

专为石材加工而设的  
全系列机器



### 🇮🇹 ITALY

**GMM S.P.A.**  
HEADQUARTER Gravellona Toce (VB)

**GMM S.P.A. SCHIO**  
BUSINESS UNIT

**MECTOCE S.R.L.**  
PRODUCTION UNIT

**BAVELLONI S.P.A.**  
HEAD OFFICE / PRODUCTION UNIT

**BAVELLONI S.P.A.**  
TOOLS DIVISION / PRODUCTION UNIT

### 🇺🇸 U.S.A.

**GMM USA INC.**  
COMMERCIAL / AFTER SALES UNIT

**BAVELLONI AMERICA INC.**  
COMMERCIAL / AFTER-SALES UNIT

**TECHNI WATERJET LLC**  
COMMERCIAL / AFTER SALES UNIT

### 🇫🇷 FRANCE

**BAVELLONI FRANCE**  
DISTRIBUTOR

### 🇩🇪 GERMANY

**GMM STEINBEARBEITUN**  
**GMBH**  
DISTRIBUTOR / AFTER SALES UNIT

**WPA WATERJET PRODUCTION**  
**ACADEMY GMBH**  
DISTRIBUTOR

### 🇦🇺 AUSTRALIA

**TECHNI WATERJET LTD.**  
MELBOURNE HEAD OFFICE

### 🇹🇭 THAILAND

**TECHNI WATERJET LTD.**  
PRODUCTION UNIT

### 🇧🇷 BRAZIL

**BAVELLONI DO BRASIL**  
**COMÉRCIO DE MÁQUINAS LTDA**  
COMMERCIAL / AFTER-SALES UNIT

### 🇲🇽 MEXICO

**Z.BAVELLONI MEXICO S .A. DE C.V.**  
COMMERCIAL / AFTER-SALES UNIT

### 🇭🇰 HONG KONG

**GMM INTERNATIONAL LTD.**  
COMMERCIAL / AFTER SALES UNIT  
凌意国际有限公司

### 🇨🇳 CHINA

**GMM QUANZHOU LTD.**  
COMMERCIAL / AFTER SALES UNIT  
泉州意美美机械有限公司

[gmm.it](http://gmm.it) / +39 0323 849711 / [gmm@gmm.it](mailto:gmm@gmm.it)

**IMPORTANT:** machines displayed in the present catalogue are without safety barriers in order to ensure the perfect vision of all the details of the machine. All machines will be delivered and installed with safety barriers as per current legislation. The data in the present catalogue may vary without notice due to continuous update of technology.

**重要说明:** 本说明书为了更清晰地展现设备全貌，在拍照时撤除了安全保护屏障，设备在实际交付与安装时都会配备安装保护屏。本产品说明书中的所有参数可能因更新原因而有所不同，请按照当时咨询时为准。

